

8-channel 1080P Cabinet Debugging Monitor

SG EMO-17308

Specification Document

Ver 1.0



▲ Physical Reference

Product Description

The Shengong SG EMO-17308 8-channel 1080P cabinet debugging monitor integrates an LED display, ultra-thin keyboard, and mouse touchpad into a 1U height unit with a drawer-style installation. This design significantly addresses the space constraints compared to standard keyboards, monitors, and mice, saving up to 85% of space. It features a high-quality Grade A 17.3" LED display (no bright spots) and includes a built-in switch for direct management of up to 8 servers, with the capability to manage up to 256 servers in total.

Key Features

- ★ Supports 8-channel HDMI signal input, with a single control unit managing 8 servers. Multiple devices can be cascaded, managing up to 256 computers in total.
- ★ Integrated 17.3" LED screen, keyboard, and mouse in a single dual-rail body, occupying only 1U of rack space. The 17.3-inch LED display offers high brightness, high clarity, and a resolution of up to 1920x1080@60Hz.
- ★ Supports server naming and fuzzy input of SN numbers to quickly locate and select the server security features you need.
- ★ Supports multi-user account management and management hierarchy, password protection, and search by PC server name.
- ★ Efficiently saves room space. When the keyboard/touchpad is not in use, it can be pushed back into the rack, leaving only the slim LED display visible for easy monitoring of server status. The rails feature a self-locking mechanism.
- ★ Supports hot-swapping, allowing servers to be added or removed without powering down.
- ★ Provides an auto-scan mode for continuous monitoring of user-selected hosts.
- ★ Drawer-style design with a front USB 2.0 port for USB hub functionality.
- ★ Easily switch between servers using hotkeys, panel buttons, or touch.
- ★ Compatible with a wide range of operating systems, including Dos/Windows series, Unix, Mac OS 8.6/9/10, SUN Solaris 8/9, Kylin OS, UOS (UnionTech OS), Deepin, Puhua OS, and Red Flag Linux.
- ★ The LED display can be extended up to 135 degrees for a comfortable viewing angle.

Product Appearance



▲ Front view

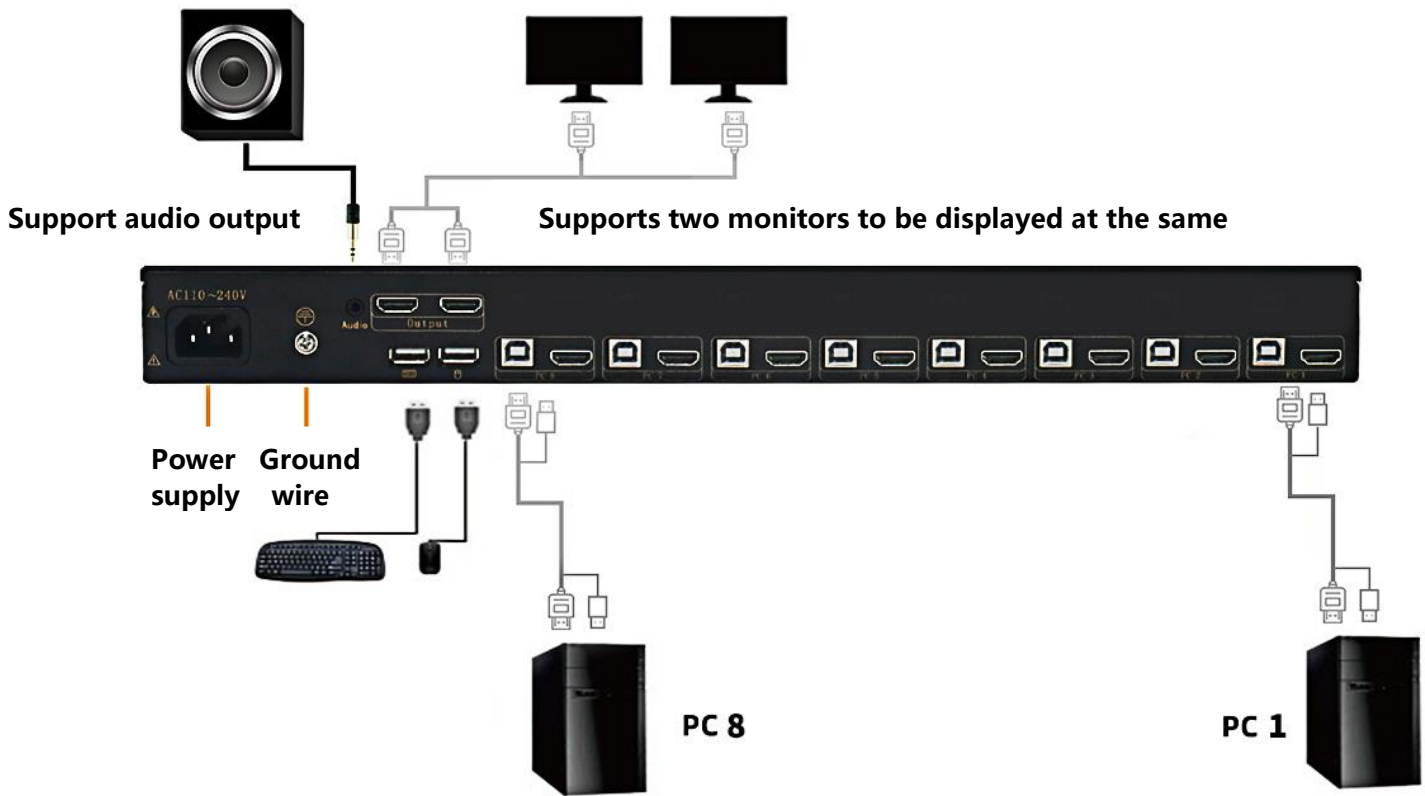


▲ Back view



▲ Interface display

Product Connection Diagram



Technical specifications

Model:	SG EMO-17308
Accessories:	Includes 2 mounting ears, 8 KVM cables (1.8 meters), optional 3-meter and 5-meter cables available
Computer Connection:	8 computers
Maximum Computer Connection:	256 computers
Connection Ports:	HDMI interface (8*USB for keyboard and mouse)
Switching Scan Time:	1~255 seconds (adjustable via OSD)
Applicable Cabinet:	800-1040MM
Switching Method:	Hotkey switching, button switching
LED Display:	Size: 17.3" LED Resolution: 1920*1080@60Hz Brightness: 250nits Contrast Ratio: 700:1
LED Display Control:	Multi-language OSD adjustment for optimal performance
Keyboard /Mouse:	104-key mechanical silent keyboard Touchpad
Voltage Input:	A110V-240V 50Hz-60Hz Power Consumption: 35W
Material:	High-strength anti-corrosion steel plate
Exterior Color:	Insulated black paint
Dimensions (L*W*H) :	450mm (depth) * 481mm (width) * 43.8mm (height)
Gross Weight:	17.5KG
Storage Temperature:	-30°C~70°C
Operating Temperature:	-10°C~60°C
Humidity:	0%-80%/RH